



2014A-PCS-Slide

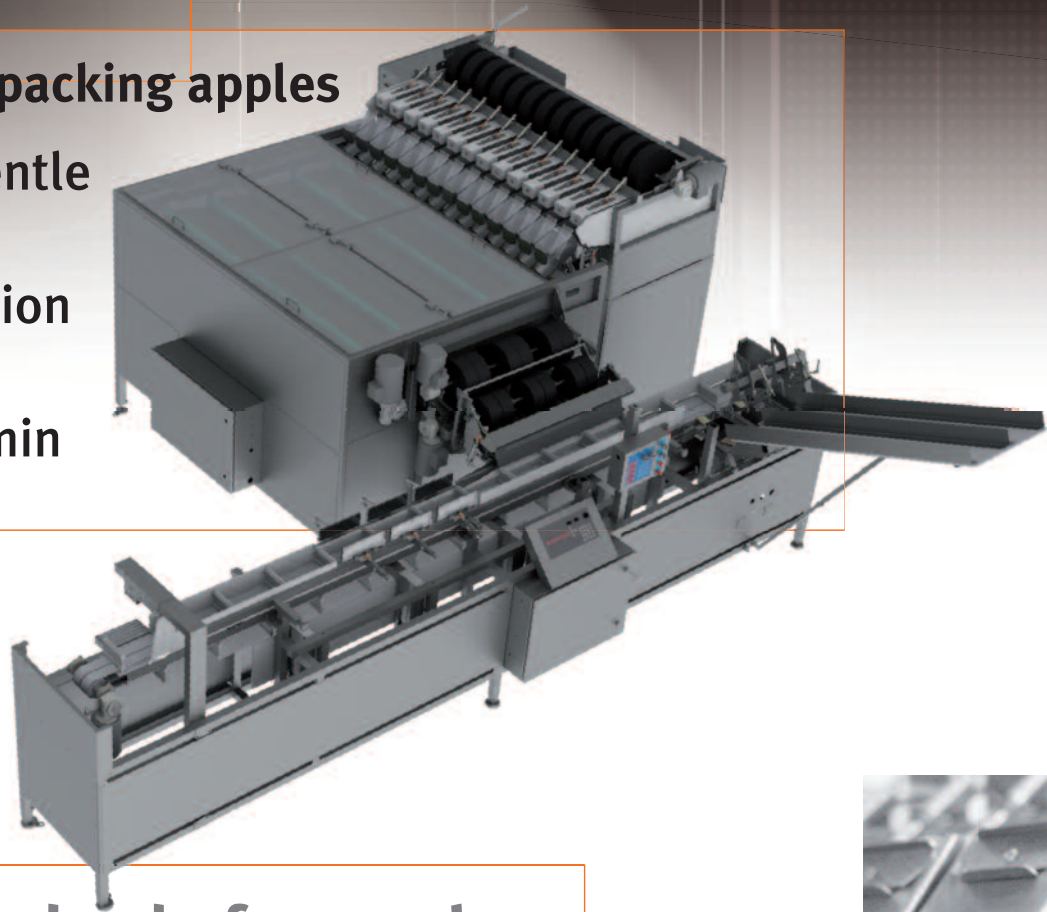
model 2014A
PCS-NBM61A-Slide

NEWTEC

the world leaders

New way of packing apples

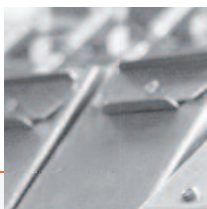
- extreme gentle handling
- high precision
- up to 45 packs per min



New standards for apples

For apples

- Robustly constructed in stainless steel
- Designed for gentle handling of delicate products by a unique brush and soft belt system
- Gentle rotating brushes prevent bridging across infeed channels
- Fully automatic infeed control
- Pack weight programming in seconds
- Simply cleaned
- Automatic taring
- Capable of running with one or more channels disabled
- Count by weight programme included
- High precision with split infeed for 2 sizes of apples



NEWTEC

the world leaders

A - Series

model 2014A

NEWTEC A/S
Stærmossegårdsvej 18
DK-5230 Odense M
Denmark

T: +45 66 15 84 44
F: +45 66 15 44 39

E: mail@newtec.dk
www.newtec.com

Technical Data

Air requirement:	Min. pressure: 7 Bar/100 psi Consumption: 150 NL/min
Electrical requirement:	Connection: 230/400 VAC+N+PE Total consumption 2,5kW
Weight:	453kg (2014A)

Capacity

Portions per min up to	1 Kg	1,5Kg
2014A Apples	45	40



- Low cost of ownership
- Simple and user friendly control panel
- Market leading product handling technology
- Combination of speed and accuracy
- Premium reliability

