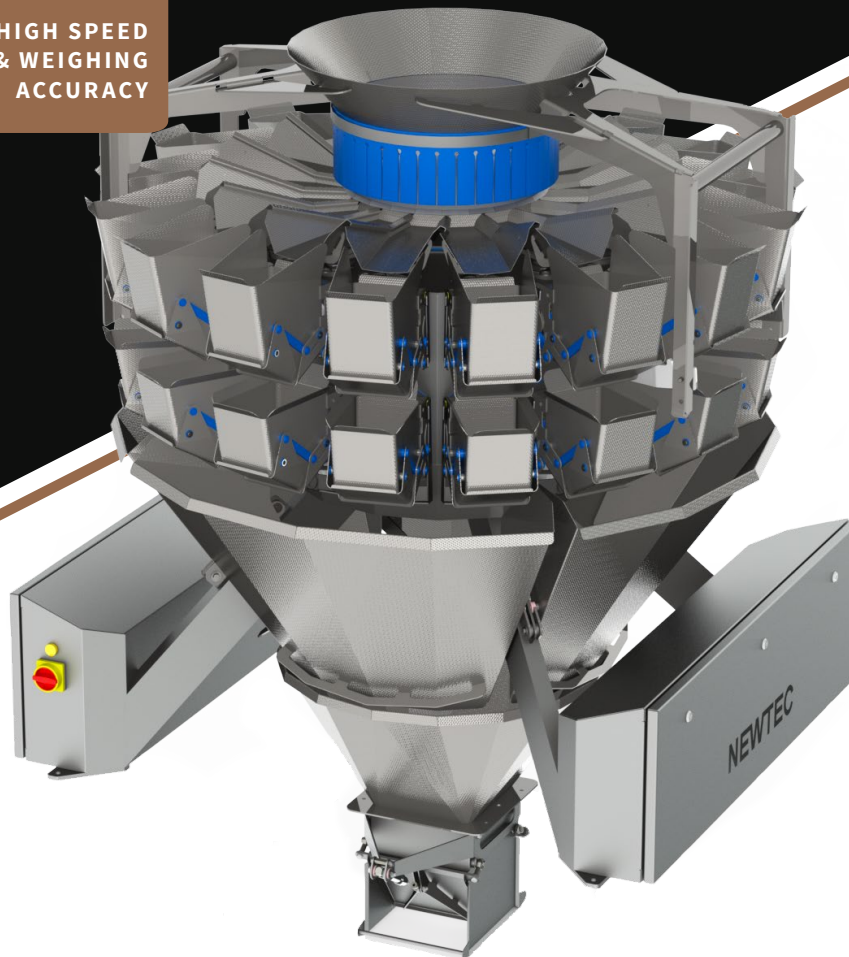


NEWTEC

WEIGHING MACHINE

4016-4RW

HIGH SPEED
& WEIGHING
ACCURACY



Complex weighing made easy

Advantages

- High weighing accuracy: Typical giveaway: less than 0.2%
- High speed – up to 120 portions/min.
- VarioSpeed ensures optimum operation – also when the products are fed irregularly
- Unique and advanced flow control at start-up: height of inlet funnel is controlled by the interface and the weighing program
- WebServices available for remote servicing and for capturing production data
- MachineLink enabled – from only one touch panel, either on our weighing machine or Check Point, recipe change and start/stop for both machines is possible

Application

Processed food such as:

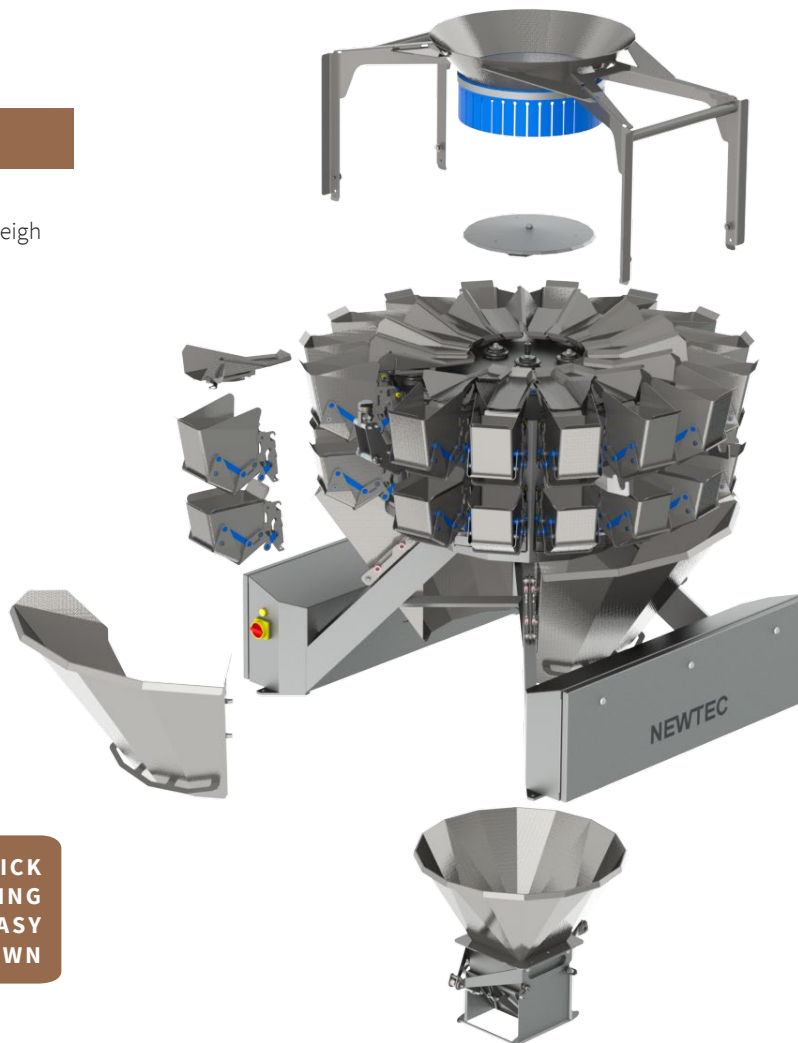
- **Dried fruits • French fries • Fresh vegetables**
- **Frozen fish and vegetables**



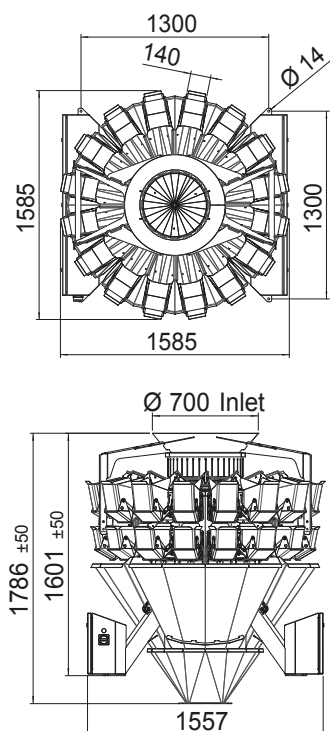
WEBSERVICES AVAILABLE
FOR REMOTE SERVICING

YOUR ADVANTAGES

- Quick dismantling and assembly of weigh pans, vibrator chutes and funnels for cleaning – no tools required
- Easy access for service
- Protection class: IP65



**QUICK
DISMANTLING
AND EASY
TO WASH DOWN**

COMBINATION WEIGHER WITH 16 CHANNELS**NEWTEC SOFTWARE**

Speed	Up to 120 portions/min.*
Capacity	500 g – 5000 g (depending on product)
Weigh pan volume	4 L (up to 10 L in one portion)
Material	All contact surfaces are made in rigidized stainless steel – especially suitable for sticky products
Air requirement for Portion Collection System	
Connection	3/8"
Min. pressure	6 bar (0.6 Mpa)
Consumption	100 NL/min.
Electrical requirement	3x230 VAC or 3x400 VAC (N) PE 50/60 Hz 4.5 kW
Environment	5°C–40°C
Weight	815 kg

*Speed: depending on specific configurations, product and portion sizes

- Intuitive user interface
- Informative and upgradable
- Same user interface on all Newtec weighing and packing machines

