

Weighing machines

**HIGH
CAPACITY
&
SMALL
FOOTPRINT**

NEWTEC WEIGHING
MACHINE
4009B2



4000B2 Series

4009B2, 4012B2, 4015B2

Application:

Washed fruits and vegetables such as:

- Potatoes
- Carrots
- Onions
- Capsicums
- Citrus
- Similar fruits and vegetables

Advantages:

- High weighing accuracy: Typical giveaway: less than 0.2%
- High speed – up to 50 portions/min. at 2 kg
- Flexible system to handle large as well as small fruits and vegetables
- Gentle product handling with low drop height
- Quick dismantling and assembly of weigh pans
- Easy access for cleaning and service
- Small footprint
- WebServices enabled for remote servicing and for capturing production data
- MachineLink enabled – from only one touchscreen, either on our Weighing Machine or Check Point, recipe change and start/stop for both machines is possible.

Weighing machines

NEWTEC WEIGHING MACHINE 4009B2

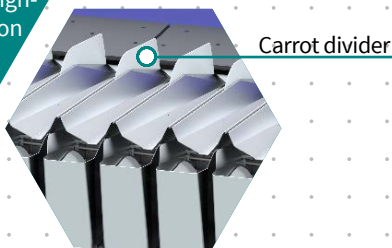
EASY ACCESS FOR CLEANING AND SERVICE



Option for carrots



Model 4009B2G
for carrots with special feature for optimal alignment and distribution of the carrots



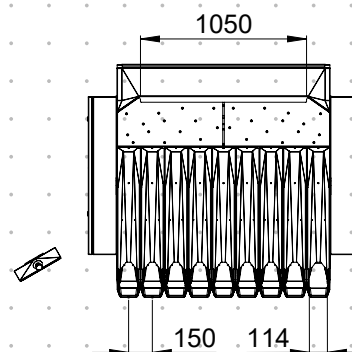
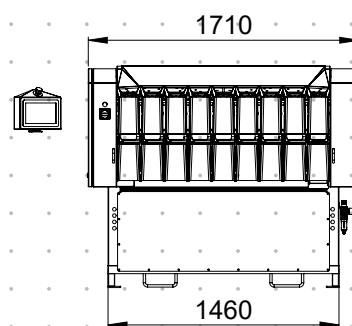
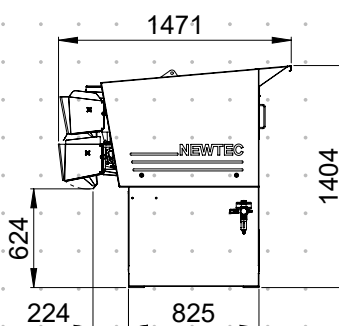
Carrot divider



Newtec software

- Intuitive user interface
- Informative and upgradable
- Same user interface on all Newtec weighing and packing machines

Capacity	0.5 kg	1 kg	2.5 kg
Portions per min. up to:	60	55	50



Weighing machine with 9 channels

Speed:	High speed – up to 50 portions/min. at 2 kg
Capacity	0.5-2.5 kg (depending on product)
Weigh pan volume:	3 L
Material:	According to the EU rules on food contact materials
Protection class:	IP54
Air requirement:	
Connection:	3/8"
Min. pressure:	6 bar (0.6 Mpa)
Consumption:	65 NL/min.
Electrical requirement:	3x230 VAC or 3x400 VAC (N) PE 50/60 Hz 3-6 kW
Environment:	5°C – 40°C
Weight:	550 kg (excl. portion collection system)